

TOOLS

SPIN • "SPIN OUT" Screwdriver For Mortise Cylinders

How many times have you struggled, trying to remove the cam screws on mortise cylinders? The Spin Out is specially designed to remove even the most stubborn screws.

The "Spin Out" features a screwdriver with an oversized handle for extra torque. Four sizes of interchangeable screwdriver bits – two slotted and two Phillips.

Includes stand, with bronze bearing, to prevent the screwdriver from slipping. Allows you to provide constant, even pressure to the screws.

- Prevents injuries to you and your employees hands, caused by a screwdriver slipping.
- Prevents stripped out screw heads.
- Allows you to remove even the most stubborn screws.

Insert Bits
 SPNBT1 • 1F-2R 1/4" Hex
 SPNBT2 • 4F-5R STOT
 SPNBT3 • #0 Phillips Bit
 SPNBT4 • # 1 Phillips Bit

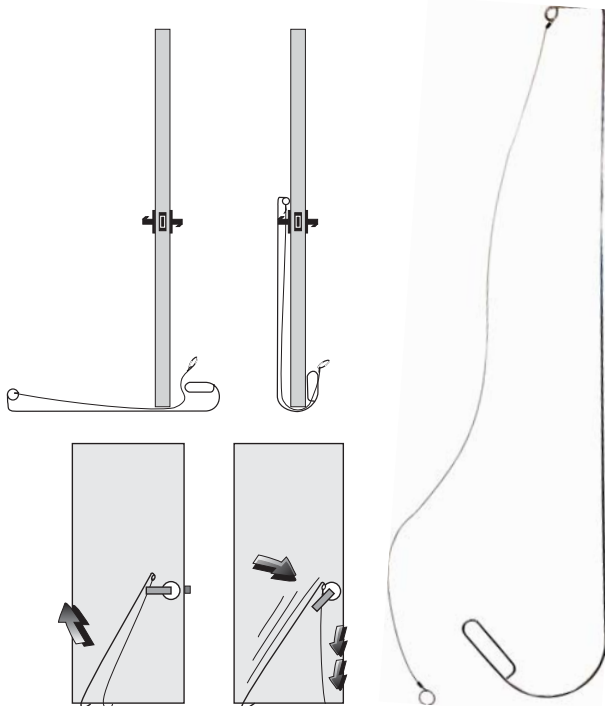


K-22 LEVER OPENING TOOL

IF YOU CAN SLIDE THIS TOOL UNDER THE DOOR,
YOU WILL OPEN IT!

This tool is to be sold only to locksmiths and law enforcement agencies.

This tool is not to be used unlawfully. Keedex will not be responsible for the misuse of this tool.



Replacement Cable Available: Part# K-22CABLE

WRR-33 WIRE RUNNING RODS

These nonconductive fiberglass rods can be screwed together to form longer lengths for running through walls, attics, crawl spaces, sub-floors, and suspended ceilings.

Kit includes

- (10) 39" rods with threaded brass connectors,
- A 6-1/2" flexible acrylic connection that can be set to any angle,
- A brass hook end for pulling,
- And a brass eye end for pushing.



Also Available!



Can be extended up to 33 feet!



VISIT OUR WEBSITE @ WWW.KEEDEX.COM
 Tel: 714-993-4300 • Fax: 714-993-4303